



Royal Industrial Suppliers

Quality Fasteners Specialist

No. 4, M.G.S. Complex, Benki Nawab Street, S.P. Road Cross, Bangalore 560002

An ISO 9001:2015 Certified Co



8310165941 / 9008782885



sales@royalfastenersindia.com



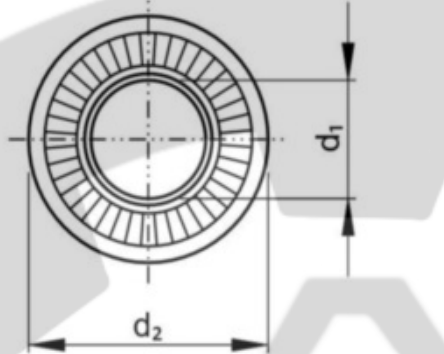
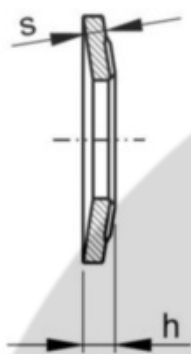
www.royalfastenersindia.com

CONTACT LOCK WASHER

NFE 25 - 511

CATALOGUE NUMBER: R4G44C

AISI 304 – A2



Send your Orders / Enquiries along with the following Item Codes

All Dimensions are in MM

TYPE 'M' FOR HEX SCREWS & BOLTS

Nominal Size Bolt Size ↓	PART NO.	Inside Dia d1		Outside Dia d2		Height h		Thickness s	
		Min	Max	Min	Max	Min	Max	Min	Max
M3	R4G44C03000	3.1	3.35	7.71	8.29	0.80	1.00	0.57	0.63
M4	R4G44C04000	4.1	4.40	9.71	10.29	1.15	1.40	0.86	0.94
M5	R4G44C05000	5.1	5.40	11.65	12.35	1.45	1.80	1.06	1.14
M6	R4G44C06000	6.1	6.40	13.65	14.35	1.75	2.10	1.26	1.34
M8	R4G44C08000	8.2	8.56	17.65	18.35	1.90	2.35	1.36	1.44
M10	R4G44C10000	10.2	10.56	21.58	22.42	2.25	2.75	1.55	1.65
M12	R4G44C12000	12.4	12.83	26.58	27.42	2.60	3.10	1.75	1.85
M14	R4G44C14000	14.4	14.81	29.58	30.42	3.20	3.70	2.34	2.46
M16	R4G44C16000	16.4	16.83	31.50	32.50	3.60	4.10	2.74	2.86
M20	R4G44C20000	20.5	21.02	39.50	40.50	4.90	4.90	3.14	3.26